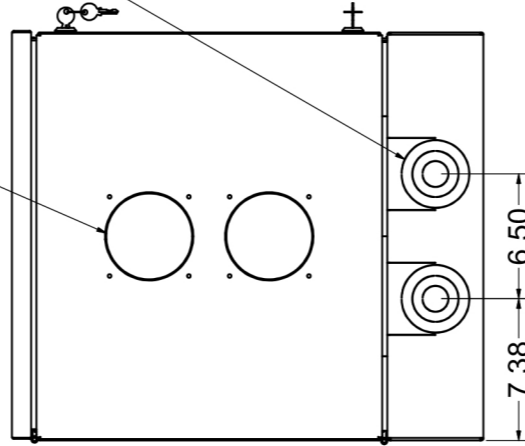


1", 2", AND 3" REAR SECTION  
NOMINAL CONCENTRIC CONDUIT  
KNOCKOUT

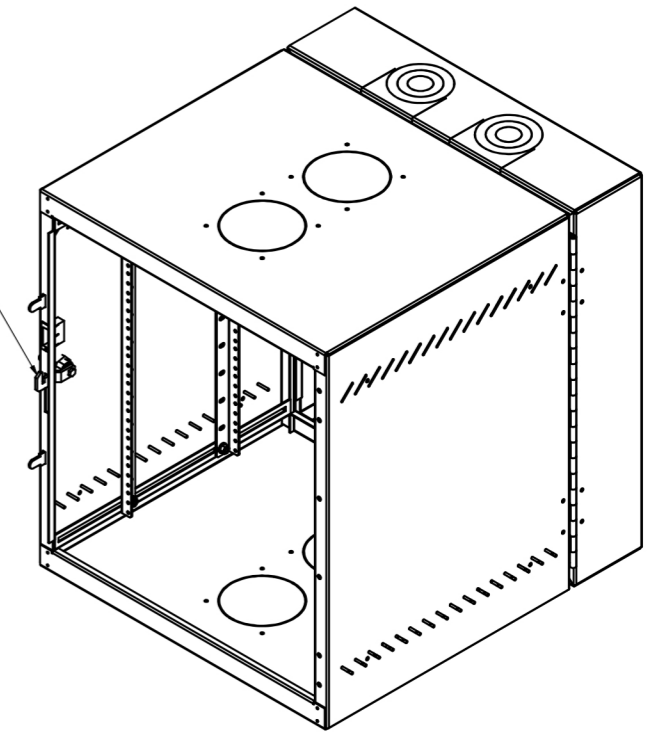
2-FAN UNIT MOUNTING SHOWN FOR  
12-24, 19-24 AND 25-24 MODELS.  
2-FAN UNIT MOUNTING IS ROTATED  
90 DEGREES ON 12-18 MODELS.



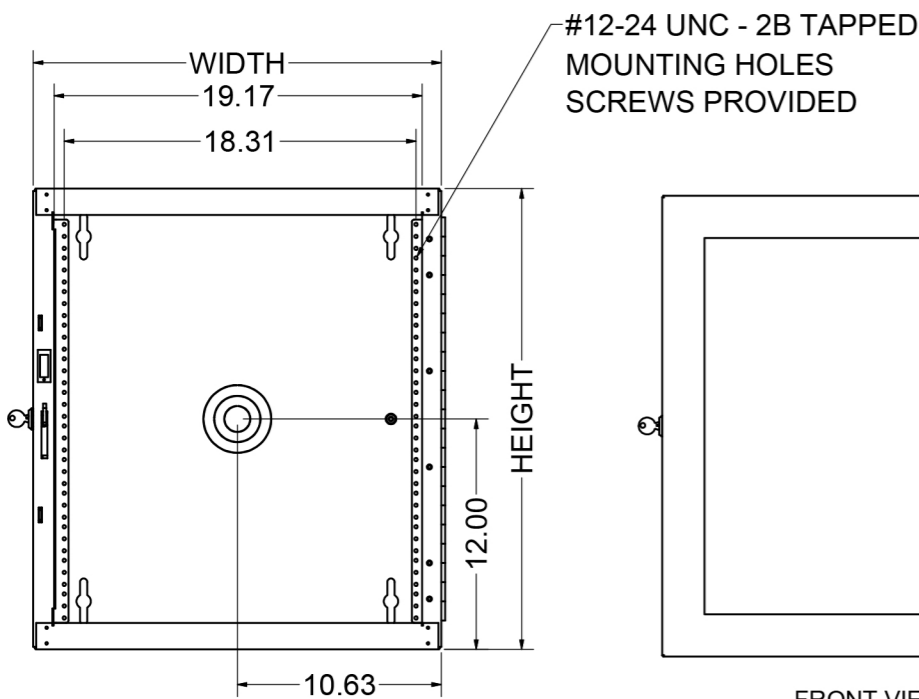
TOP VIEW

INDEPENDENT LOCKING FRONT  
AND REAR DOOR SECTION

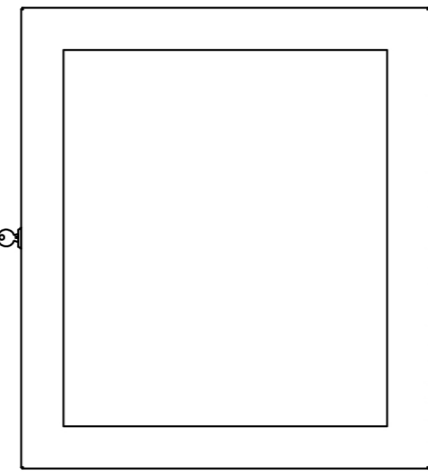
MOUNTING HOLES FOR  
3/8" HARDWARE



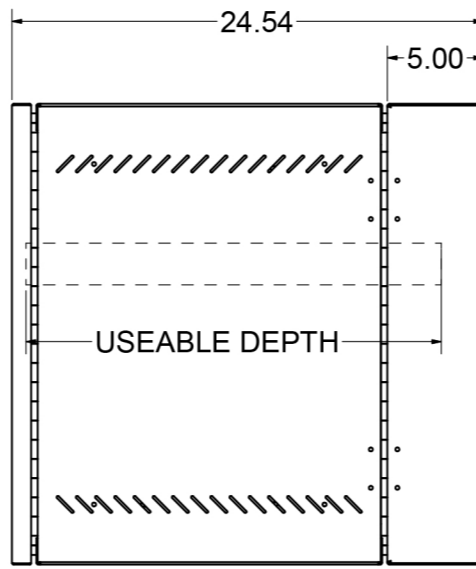
ISO COLLAPSED  
(without Door)



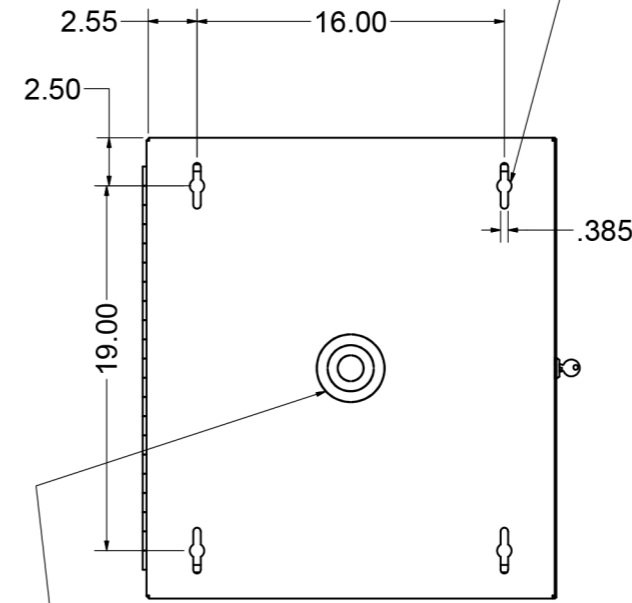
FRONT VIEW  
(without Door)



FRONT VIEW  
(with Door)

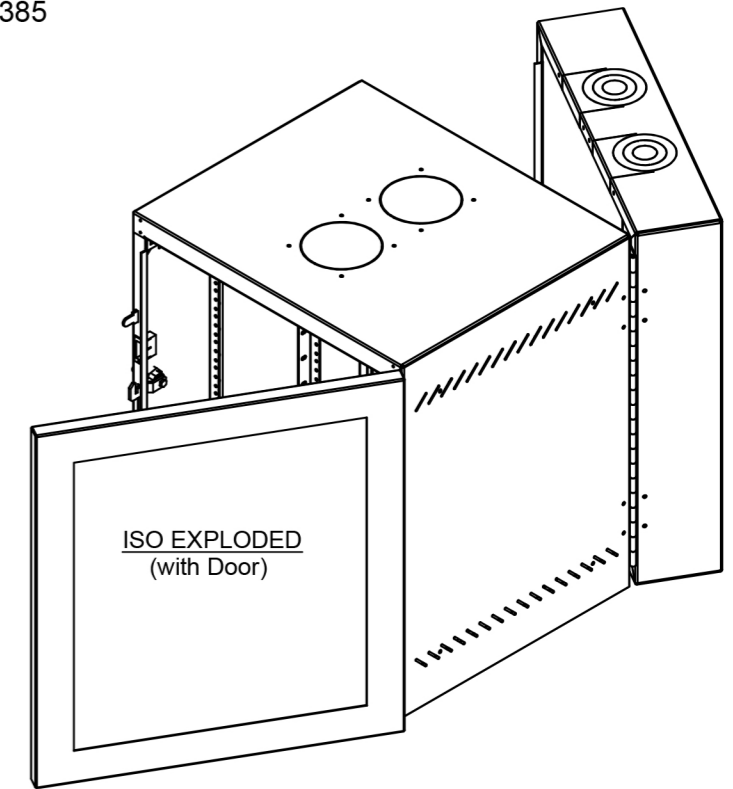


RIGHT SIDE VIEW

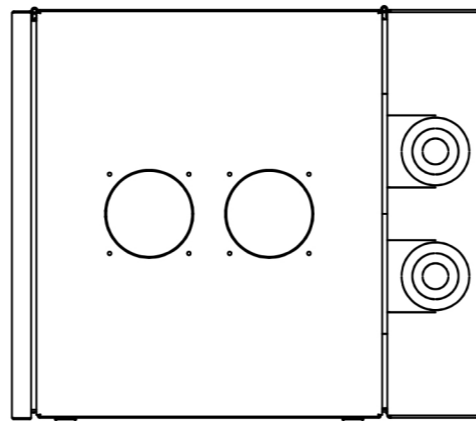


BACK VIEW

1", 2", 3", AND 4" REAR SECTION  
NOMINAL CONCENTRIC CONDUIT  
KNOCKOUT



ISO EXPLODED  
(with Door)



BOTTOM VIEW

MODEL	HEIGHT	WIDTH	DEPTH	UABLE DEPTH	RMU
12-18	24.00"	21.25"	18.00"	15.5"	12
12-24	24.00"	21.25"	24.50"	22.0"	12
19-24	36.00"	21.25"	24.50"	22.0"	19
25-24	48.00"	21.25"	24.50"	22.0"	25

EST. WEIGHT :  
N/A

INTERPRET DRAWING PER ASME Y14.5M-1994  
DIMENSIONAL LIMITS APPLY  
AFTER APPLICATION OF FINISH  
DRAWING NOT TO SCALE  
TOLERANCE UNLESS OTHERWISE NOTED:  
ANGULAR +/- 1'  
.XXXX +/- .010  
.XXX +/- .015  
.XX +/- .030  
.X FOR REF. ONLY

**NOTICE:**

Use of this document is subject to a confidentiality and nondisclosure agreement with Rackit Technology Corporation (Rackit) and may not be reproduced, disclosed or utilized in whole or in part without prior written authorization from Rackit.

PART NUMBER: SEE CHART  
QTY PER UNIT: 1  
MATERIAL TYPE: C.R.S.  
MATERIAL GAUGE: VARIES  
FINISH: TXT POWDER COAT  
DRAWN DATE: 3/4/2011  
CD DATE: 3/4/2011  
CHECKED & APP. DATE: 3/4/2011  
WSS

TITLE  
**Wallit Swing-Out GP**  
Rackit Technology Corporation  
3724 24th Street, Long Island City, NY 11101  
Phone: (718) 729-1499 Fax: (718) 729-0212  
E-mail: support@rackittechnology.com  
DWG NO: 1005292  
REV: 0  
SHEET: 1 OF 1